

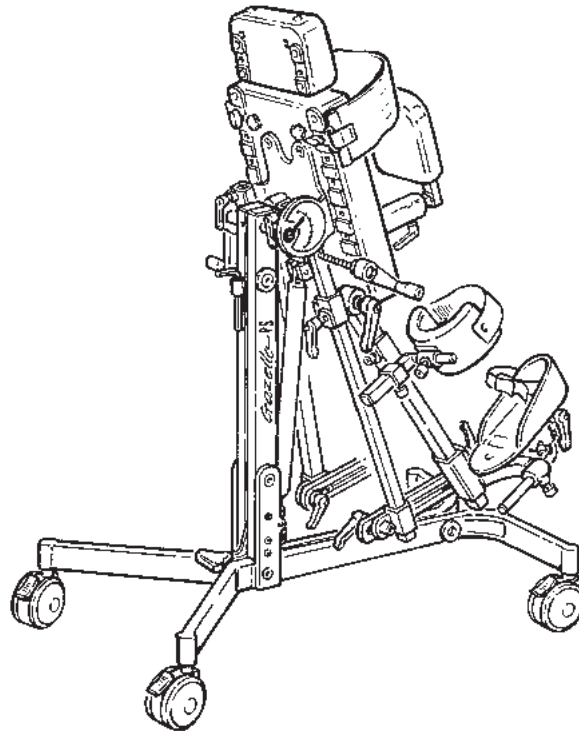
R82[®] 

gazelle ps[™]

English user manual

GB CONTENTS

Safety	4
Guarantee.....	4
Maintenance	4
Tools	4
Ready for use	5
Head support with facial aperture.....	6
Trunk support and extension	6
Strap.....	7
Back support.....	7
Side support	8
Independent abduction	9
Angling of lower leg	10
Knee support	11
Foot support	12
Tray with / without bowl	13
Angling.....	14
Adjusting the gas spring	15
Product identification	16
Measurements.....	17
Tecnical data.....	18
Manufacturer	18
Dealer.....	18



Pat. pend.

GB GAZELLE PS

Congratulations on choosing the Gazelle PS. We are absolutely certain that it will meet your expectations to a modern aid like this. The Gazelle PS is available in 3 sizes and is for children from 1 to 14 years of age. The many adjustment possibilities and the wide range of accessories mean that it adjusts to children with different types of handicaps.

The Gazelle PS is primarily for prone standing, however, supine standing is also possible. Its tilts infinitely from vertical to 15° past horizontal. It's best to place the child with the Gazelle PS in horizontal position.

For children with the need of additional support, side supports and a facial plate can be mounted. Table (with or without bowl) can be used to occupy the child and to support the child's arms.

This manual will help you take full advantage of your Gazelle PS.



GB SAFETY

The Gazelle PS is CE-marked according to European safety requirements directive 83/42/EØF from 14. june 1993 regarding medical class I arrangements. This is your guarantee that it fulfills all European health and safety requirements.

The durability of this product is 7 years when it is used on a daily basis. Hereafter we recommend that the product should be renovated (by R82 personnel) to extend the lifetime.



Remove the CE-mark, when rebuilding the product or when using other than original R82 spare parts.



Never leave your child unattended in this product. Ensure permanent supervision by an adult. Incorrect use of the Gazelle PS, may cause serious injury to the user. Take care that all the fixations and adjustments are placed and fitted correctly and check it on a regular basis.

GB GUARANTEE

Any R82 product, bought with an R82 dealer, includes a guarantee against defects in types and materials. There is a 5 years guarantee on frame breaks.

The guarantee is given by the R82 dealer or subsequent R82 representative.

The guarantee can only be sustained if the R82 product is in use in the same country as produced for. The guarantee does not cover accidental damages, including damages caused by misuse or neglect. The guarantee stops if the serial number is removed, or if the product is repaired or changed by others than authorized R82 staff.

GB TOOLS

Use the enclosed 6 mm Allen key to perform the adjustments where described in this manual.

GB MAINTENANCE



The Buffalo functions without maintenance, but it is recommended to clean the frame frequently. Do not use any cleaning materials containing chlorine or methylated spirit.



The carer should check and oil the swing away parts occasionally. We recommend to use a synthetic teflon oil.



Do not expose the gasspring to pressure, high temperatures or perforation.

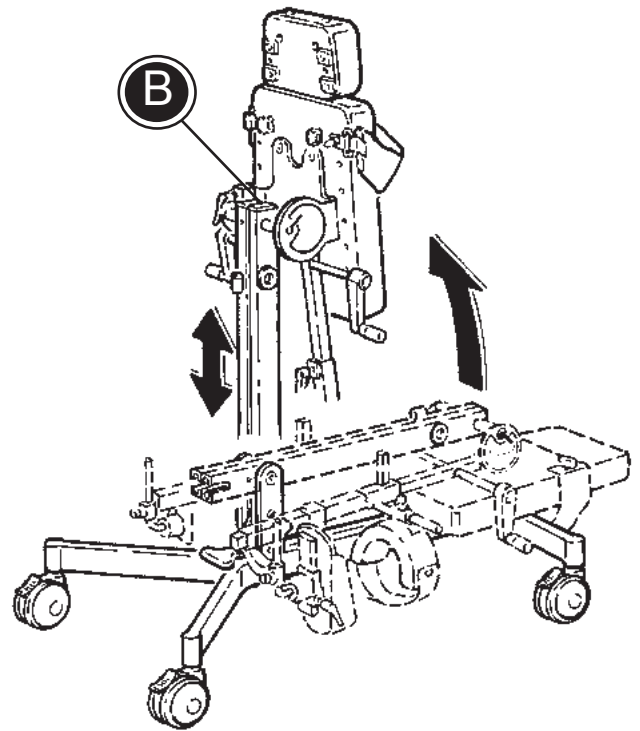
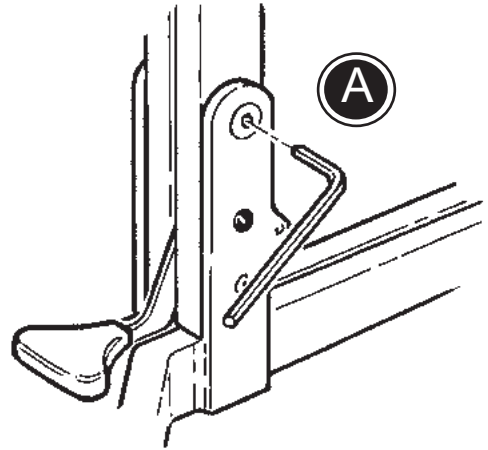


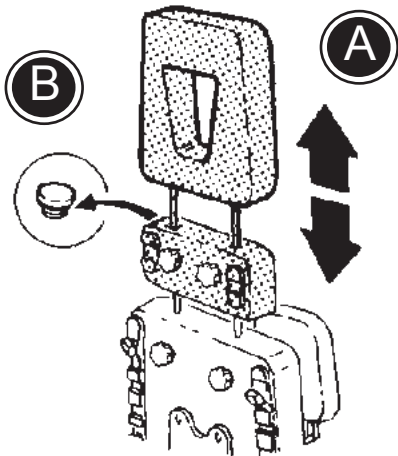
Adjustments which are not described in this manual, must only be made by authorized R82 personnel..

GB READY FOR USE

The Gazelle PS is folded when delivered, to obtain as little space as possible, during transportation. Follow the description below, to unfold your Gazelle PS:

- 1) Make sure that the four wheels are locked.
- 2) Press against the floor frame with your foot, as the Gazelle PS is raised to vertical position. Make sure the Gazelle PS fits exactly into the fitting on the floor frame.
- 3) With the Gazelle PS a in vertical position, use the enclosed 6 mm Allen key to fasten the screw (A). The Allen key is placed on the Gazelle PS (B) and is always nearby for adjustments.



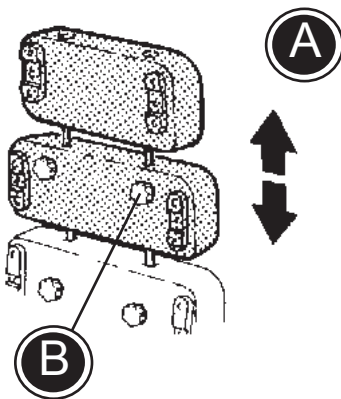


GB HEAD SUPPORT WITH FACIAL APERTURE

Mounting of Head support with facial aperture:

- A) The two retaining bars go through the adjustable trunk support after removal of two plastic plugs.
- B) Positioning knobs can be screwed into place after making cut-outs in the adjustable trunk support.

It can be helpful to mount the head support with facial aperture before placing the child on the table in horizontal position. Remove the head support when the table is raised into vertical position.



GB TRUNK SUPPORT AND EXTENSION

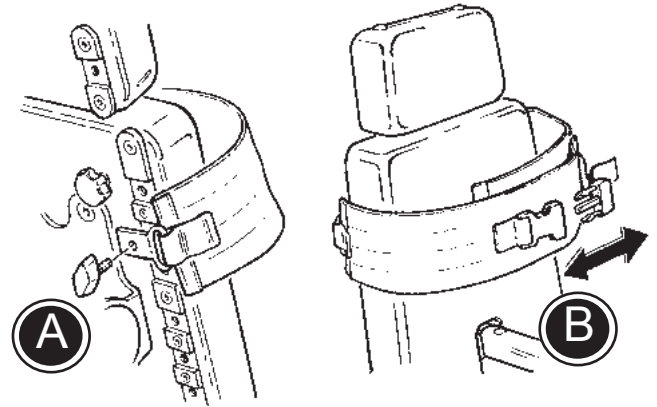
Height adjustable trunk support and extension can be mounted on the Gazelle PS (A).

Fasten the screws on the back (B).

GB STRAP

Mount the strap on the trunk support or on the basic plate considering where the support is needed.

The strap is mounted on the back (A) and fastened in front with velcro and a snap-lock fitting (B).




GB BACK SUPPORT

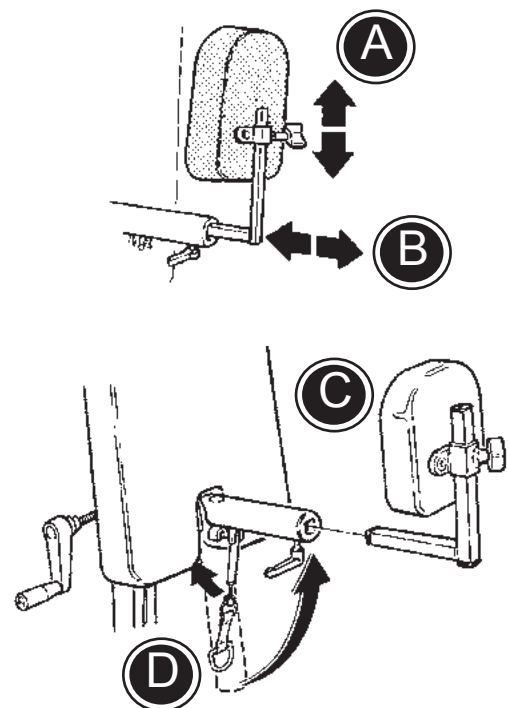
The back support is adjustable in height (A) and in depth (B).

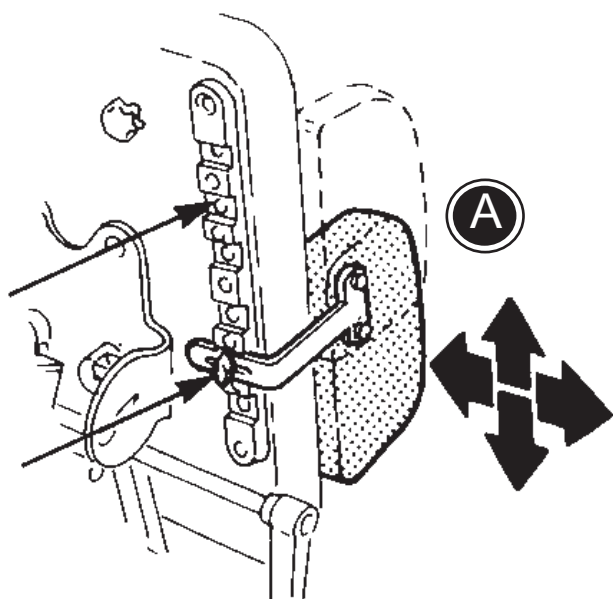
Before placing the child:

1. Remove the back support (C)
2. Fold down the fitting for back support by pulling the release chain (D).

Fasten with the handles. Be aware if the child "sit on" the mounting for the back support. There must always be a couple of centimetres between the child and the mounting.

 NB! Take care when refitting the back support.





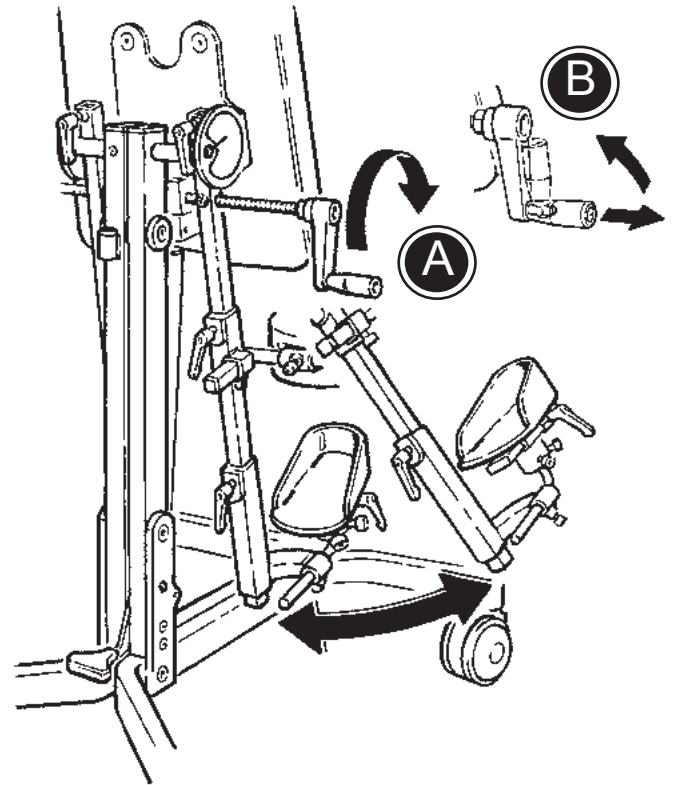
GB SIDE SUPPORT

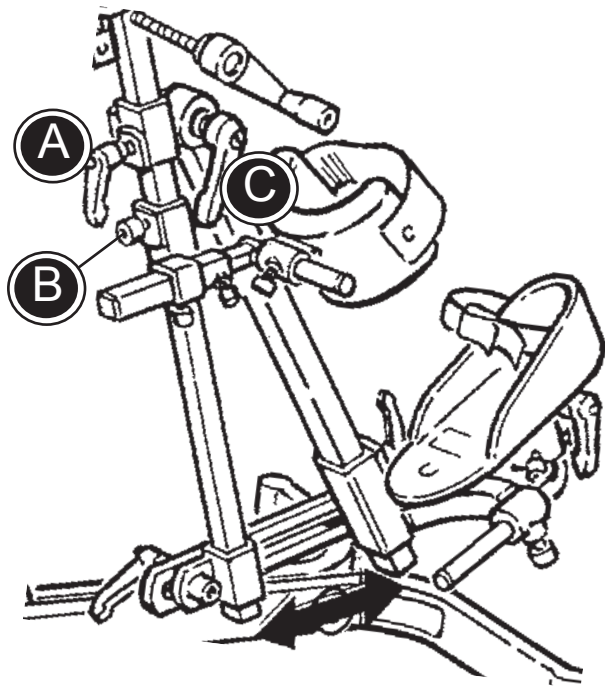
Mount the side supports on the trunk support to give the right support to the upper part of the body or on the basic plate to support the body and hips. The side supports are adjustable in height and in width (A).

GB INDEPENDENT ABDUCTION

Adjusting the abduction 0° - 30° by turning the handle in both sides (A).

Retractable handle for tilt adjustment (B).





GB ANGLING OF LOWER LEG

Mount the bar for the lower leg angling on the abduction bar, as follows:

- 1) Loosen the handle (A) to remove the support.
- 2) Loosen the Allen screw (B) to remove the knee supports.
- 3) Mount the knee support on the bar for the lower leg angling and tighten the handle (A).
- 4) Mount the foot support on the bar for the lower leg angling.

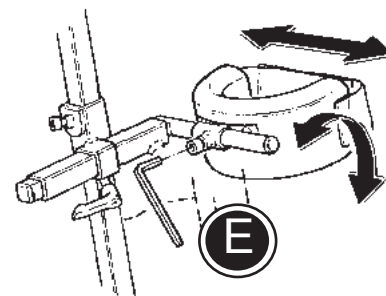
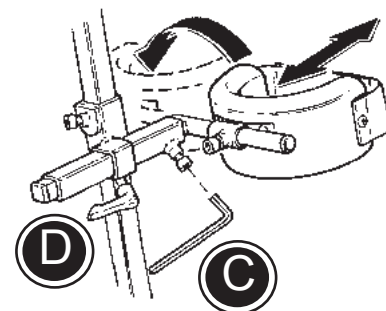
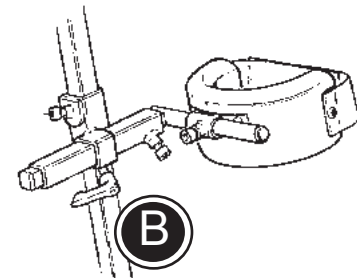
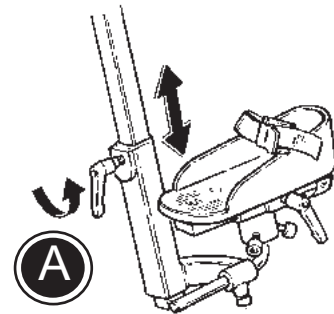
Adjust the height of the lower leg angling by turning the handle (B) and adjust the angling by turning the handle (C). To adjust the foot support see page 16.

GB KNEE SUPPORT

As standard, the Gazelle PS is delivered with knee supports mounted to be used by front-standing children. Turn around the knee supports, to be able to use it for backstanding children:

- 1) Loosen the handle (A) to remove the foot supports.
- 2) Loosen the handle (B) to remove the complete knee support unit.
- 3) Mount the complete knee support unit on the opposite side and fasten with the handle.
- 4) Turn the fitting for the knee support 180°, by loosening the screws (C) and (D).
- 5) Loosen the screw (E) and turn around the knee support, for backstanding children.

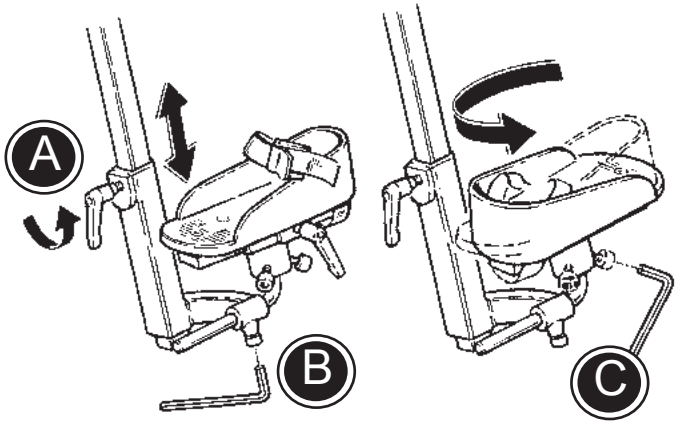
Adjust the knee support with the enclosed 6 mm Allen key. Loosen the screws (C) and (D) and the knee supports are depthadjustable. By loosening the screw (E) the knee supports adjust in width and angles. Use the handle (B) to adjust the height of the complete knee support unit.



GB FOOT SUPPORT

For use of back standing:

When the knee support is turned, the foot supports must be mounted in the same side as they were demounted.



1) Mount the foot supports and tighten the handle. (A).

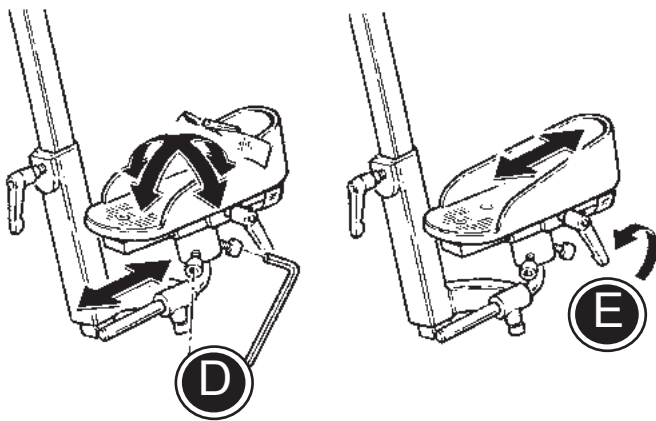
2) Loosen the screw (B) and adjust the depth of the foot support.

3) Loosen the screws (C) and (D) and turn the foot support 180°.

4) Tighten the screws in the requested position.

The foot plate mounting is mounted on the joint. By means of this, the footplate can be adjusted in different angles by loosening the screws (C) og (D).

The plate can be adjusted in the depth by loosening the handle (E), or the unbracho screw (B).




GB TRAY WITH / WITHOUT BOWL

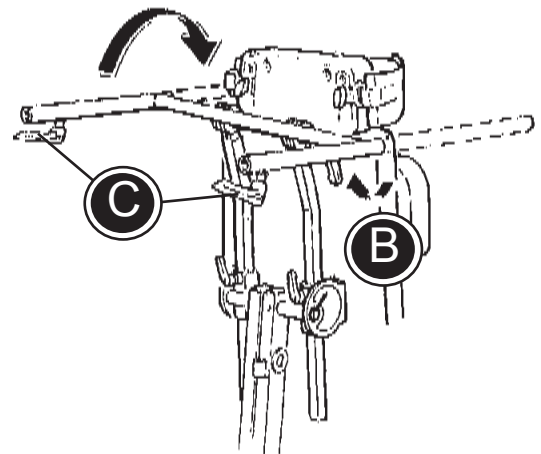
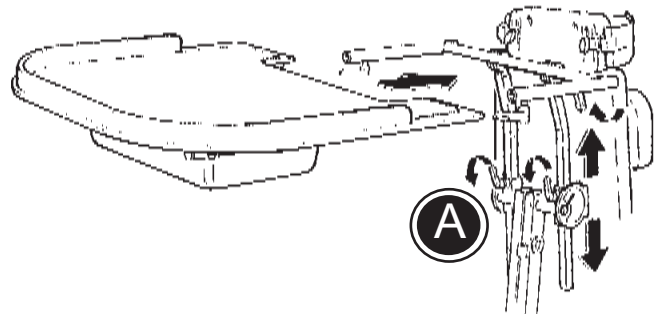
Place the tray-mounting in the two pipes on the back. Fasten with the handle (A).

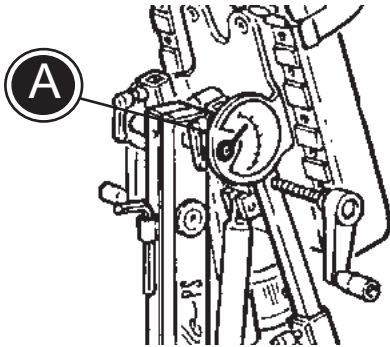
Loosen the big handle (B) and the tray-mounting can be turned for either prone or supine use.

Place the tray in the mounting. Fasten with the enclosed 6 mm Allen key (C), in the wanted position.

Loosen the handle (A) to adjust the height of the tray. Loosen the handle (B) to adjust the angle for the tray.

 The tray with bowl is delivered with an extra plate, so it can be used as a normal tray.





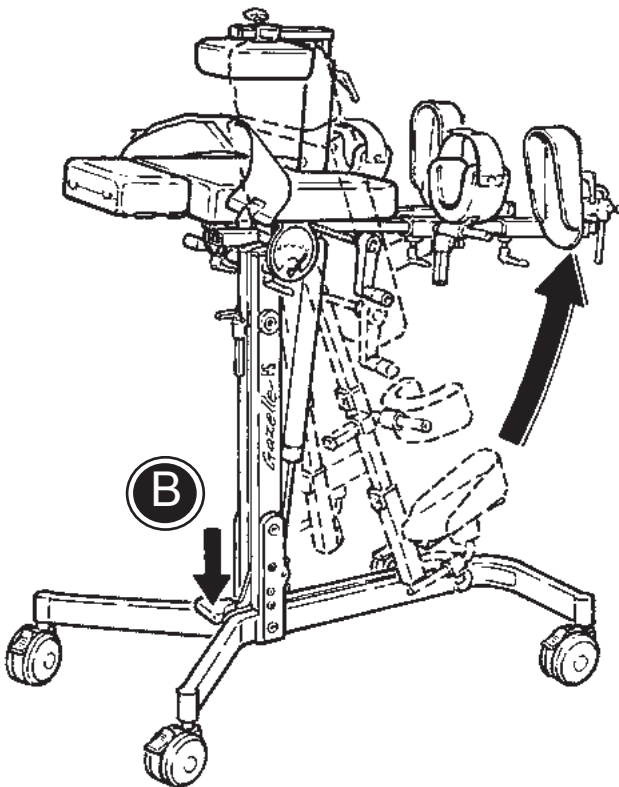
GB ANGLING

Degree indicator (A)

Adjust the angle of the Gazelle PS from vertical to 15° under horizontal by pressing the foot pedal (B).



As security, the foot pedal can be locked at the wanted angle position. Turn the button at the lower end of the gaspring and the Gazelle PS locks (C).



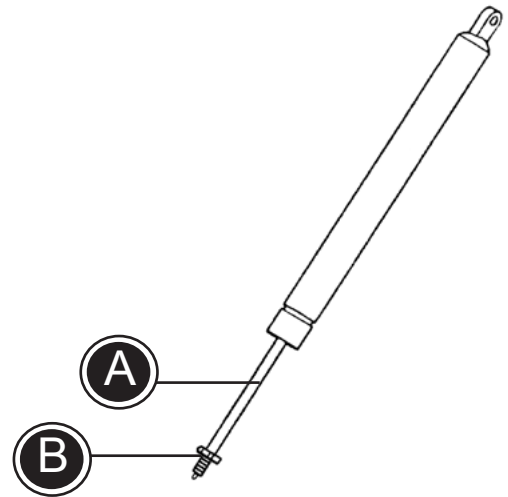
GB ADJUSTING THE GAS SPRING

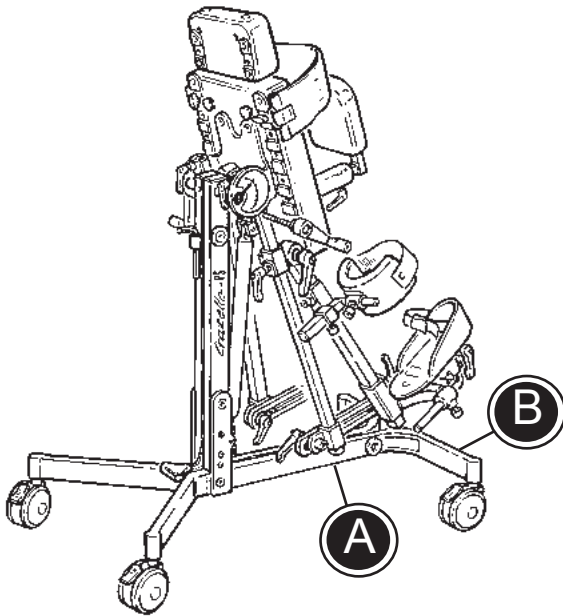
Gazelle PS is equipped with a gas spring for angle adjustment. After a while it might need adjustment. The adjustment is necessary when:

- the gas spring is releasing itself
- the gas spring can not be released

If the gasspring releases itself, loosen the nut (B) with and 17 m.m. wrench key. Turn the bar (A) anti-clock-wise to tighten. Tighten the nut (B) again.

If the gasspring will not release, loosen the nut (B) with a 17 m.m. wrench key. Turn the bar (A) clock-wise to loosen. Tighten the nut (B) again.





GB PRODUCT IDENTIFICATION

A) Serial number

The label is placed under the frame.

B) Manufacturer

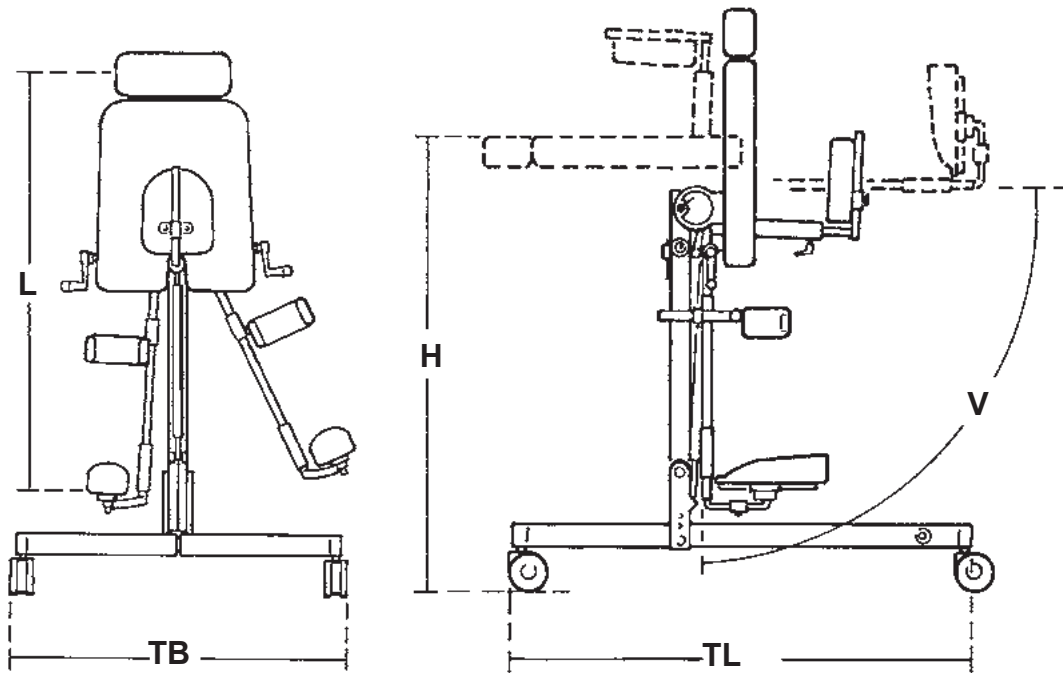
The label is placed on the back of the frame by the left rear wheel.

A



B





GB MEASUREMENTS

	Size 1	Size 2	Size 3
Height, horizontal (H)	76 cm	80 cm	90 cm
Length, foot-axil (L)	45-95 cm	60-105 cm	70-125 cm
Total width, frame (TB)	48 cm	58 cm	65 cm
Total length, frame (TL)	76 cm	88 cm	99 cm
Positioning angling (V)	90° til -15°	90° til -15°	90° til -15°
Weight	20 kg	22 kg	24 kg
Max load	40 kg	60 kg	80 kg

GB TECHNICAL DATA

Frame: Powder lacquered steel 37/Chromed steel 37
Upholstery: PUR (Polyurethan)

GB MANUFACTURER

R82 A/S
Parallevej 3
8751 Gedved

GB DEALER

Find your dealer at www.r82.com